

2.4 GHz wireless remote control system

Output unit **KSR2.4**



Operation Guide

Version 3.0 (Oct. 2021)

- This product requires electrical and radio knowledge for setup and operation.
- To ensure proper and safe operation, please read this operation guide thoroughly prior to use.
- Please keep this operation guide for future reference.

CIRCUIT DESIGN, INC.

7557-1 Hotaka, Azumino
Nagano 399-8303 JAPAN

Tel: 0263-82-1024

Fax: 0263-82-1016

e-mail: info@circuitdesign.jp
<http://www.circuitdesign.jp>

Contents

| | |
|---|-----------|
| 1. Outline | 3 |
| 2. Features and applications | 3 |
| 3. System example | 4 |
| 3.1 Using KST2.4S on the input side..... | 4 |
| 3.2 Using NK-2.4Y on the input side | 4 |
| 3.3 Operation of multiple systems in one area | 4 |
| 4. Main specifications | 5 |
| 5. External dimensions | 6 |
| 6. Part names and functions | 7 |
| 6.1 External view | 7 |
| 6.2 Connector specification | 8 |
| 7. Output circuit | 9 |
| 7.1 Internal equivalent circuit..... | 9 |
| 7.2 Cautions..... | 9 |
| 8. MODE SW setting | 10 |
| 8.1 Output operation mode setting | 10 |
| 8.2 Output time setting for one-shot mode | 10 |
| 8.3 Pairing with the input unit | 11 |
| 9. Output operation modes | 12 |
| 9.1 Momentary mode..... | 12 |
| 9.2 One-shot mode..... | 13 |
| 9.3 Toggle mode | 14 |
| 10. Connection example | 15 |
| 10.1 Connection example 1..... | 15 |
| 10.2 Connection example 2..... | 16 |

1. Outline

KSR2.4 is an output unit with 6 control contacts for wireless remote control system which can be realized by combining with the input unit KST2.4S or telecommand module NK-2.4Y

The communication mode is 1:1 only and neither 1:N nor N:1 is possible.

Frequency hopping scheme enables simultaneous use of multiple systems within one area. Also, you can always check the communication status with the Link LED.

2. Features and applications

Features

- ARIB STD-T66, FCC Part 15 compliant
- 6 control contacts
- Frequency hopping scheme enabling simultaneous use of multiple systems within one area
- Communication status monitor via Link LED
- CRC-16 and Hamming distance of 6 to minimize malfunction
- 6-photo MOS relay outputs to allow direct driving of large capacity loads
- 3 output operation modes (One-shot, Toggle, Momentary)
- 1 : 1 communication with KST2.4S or NK-2.4Y
- Communication range 100 m LOS (depends on the operation circumstances and the equipment to be controlled.)

Applications

- Control of construction, civil engineering, forestry machinery
- Control of traffic light for road construction
- Operation of agricultural machinery
- Electric shutter, electric blind, garage door
- Rotary lights, alarm devices
- Calling device

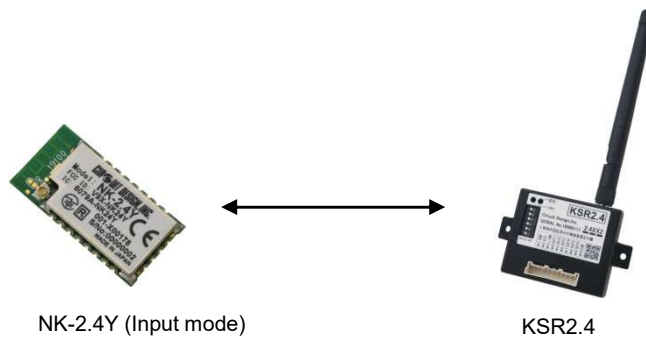
3. System example

3.1 Using KST2.4S on the input side



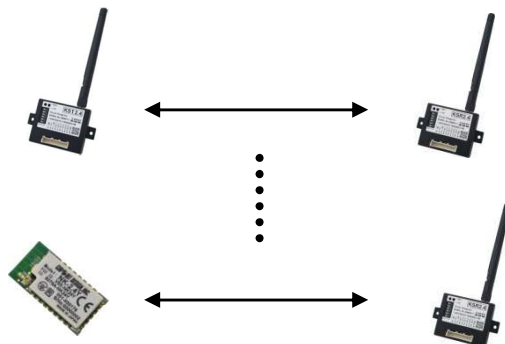
* Up to 6 control contacts

3.2 Using NK-2.4Y on the input side



* Up to 6 control contacts

3.3 Operation of multiple systems in one area

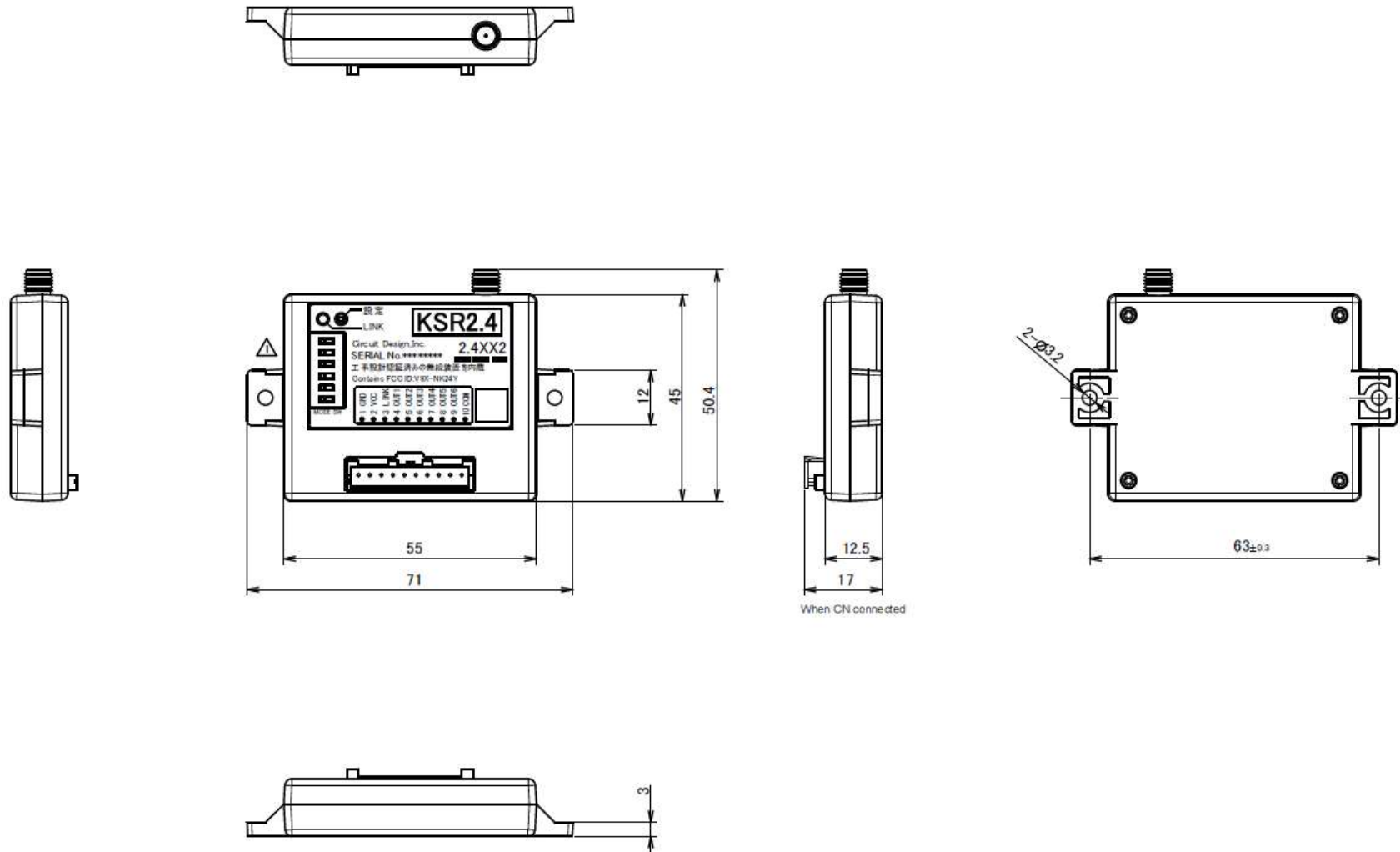


* Up to 10 systems are feasible for simultaneous operation in one area.

4. Main specifications

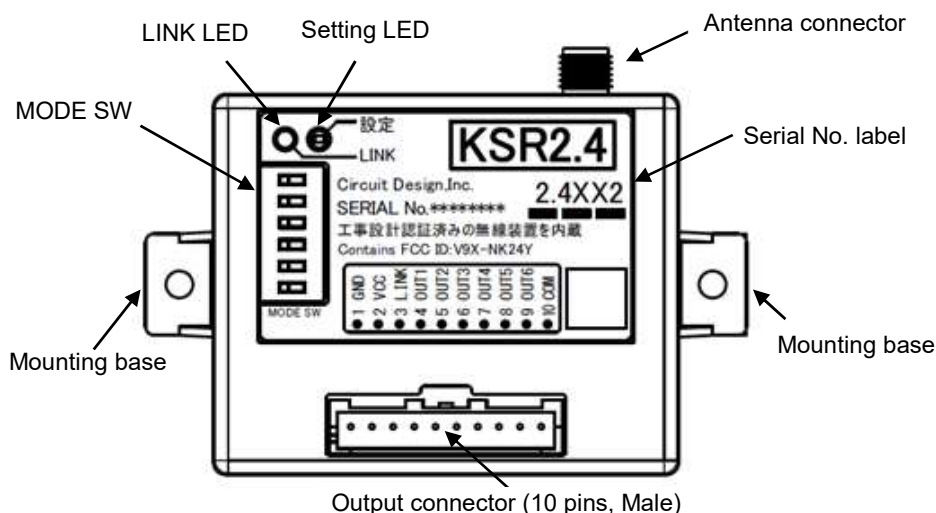
| Item | Specification | Remarks |
|-----------------------------|--|---|
| Compatible standards | ARIB STD-T66 FCC Part 15 | Contains FCC / MIC certified NK-2.4Y. |
| Frequency range | 2403 to 2479 MHz | |
| Communication method | Frequency hopping, two-way | |
| Modulation method | GFSK | |
| Communication bit rate | 250 kbps | |
| Error check method | Payload CRC16 + Packet CRC16 | |
| Hamming distance | 6 | |
| RF output power | 1.6 mW or less | |
| Number of outputs | Contact output 6 + LINK output 1 | |
| Output operation mode | 3 modes (one-shot, toggle, momentary) | |
| Contact output rating | Photo MOS relay Max 35 V, 200 mA (DC) for each output | |
| Power supply | DC 6 to 24 V (Absolute maximum voltage 36V) | |
| Current consumption | 80 mA or less | When all photo MOS relay outputs are ON Without load |
| Operating temperature range | -20 °C to +60 °C | |
| External dimensions | 55 x 45 x 12.5 mm | Excluding protrusion and mounting base |
| Weight | 26 g | Excluding antenna and cable harness |
| Accessories | Dedicated cable harness x 1 (500 mm, 10 pins) | |
| Specified antennas | Sold separately. Using antennas other than specified may invalidate compliance with radio laws. | ANT-2400-SF ANT-2400-SFW ANT-2400-SMW |

5. External dimensions



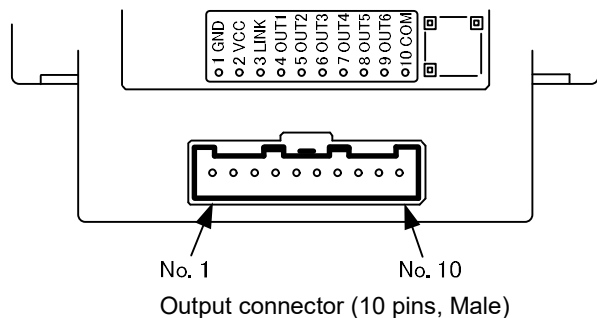
6. Part names and functions

6.1 External view



| | |
|------------------------------|--|
| Antenna connector | Reverse SMA connector (male). The specified antenna should be used. Turn only the nut to install the antenna. |
| LINK LED | LED (green) to check the communication status with the input unit. Lit: Communication is normal and stable use is possible. Blinking: Communication has been lost. Off: The power of the KSR2.4 is not turned on. |
| Setting LED | LED (orange) to indicate the operating status in pairing operation mode. Please refer to "8.3 Pairing with the input unit" for details. . |
| MODE SW | Sets pairing operation, output operation modes and the output time in the One-shot mode. |
| Output connector | 10-pin connector for the dedicated cable harness. Insert the connector securely until it is locked. For details, refer to "6.2 Connector specification". |
| Mounting base | When fixing KSR 2.4 with screws, use 3 mm screws (M3 screw etc.) and washers. (Tightening torque reference value when attached to an iron plate: 6 kgf·cm or less) |
| Serial No. label | Do not remove. |
| Cable harness (accessory) | The connector is XAP-10V-1 (JST) and the cable is a wiring harness CAVUS 0.5 used for automobiles. The cable length is 500 mm. |
| Protection sheet (accessory) | Protective sheet for the MODE SW and LEDs. To prevent incorrect operation and to protect against static electricity, always cover the MODE SW and LEDs with this sheet when installing the KSR2.4 to the equipment. |

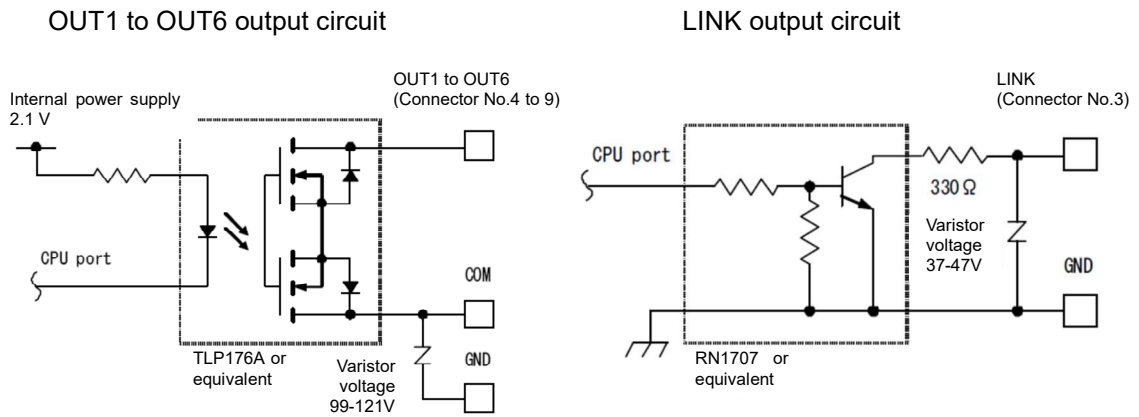
6.2 Connector specification



| Pin No. | Name | I/O | Cable color | Terminal description |
|---------|----------------------|-----|-------------|---|
| 1 | GND for power supply | I | Black | Connect to the GND of the power supply. |
| 2 | VCC | I | Red | Power supply terminal. Connect to a regulated power supply within DC 6 to 24 V range. If it is used with a voltage other than the specified voltage, the output becomes unstable. Supply the power via an overcurrent protection fuse. |
| 3 | LINK | O | Brown | Output for monitoring communication status. Linked: GND Link search: GND /OPEN repeating (200 ms/1300 ms) Connect the cathode side of the LED to the LINK terminal when using an external communication status monitor LED. Adjust the current value of the LED by connecting an external resistor in series. The internal circuit of the LINK terminal is an open collector output of a transistor (RN 1707 or equivalent), and a current limiting resistor (330 Ω) is used in series. |
| 4 | OUT1 | O | Orange | Contact outputs. High-level or low-level output is selectable. A load up to DC 35 V / 200 mA can be controlled with photo MOS FET output. It is ideal for driving external relays and controlling contact signals. OUT1 to OUT6 are insulated (floating) from the internal circuit of the KSR2.4. When driving relays, please take measures such as adding diodes for surge absorption. |
| 5 | OUT2 | O | Yellow | |
| 6 | OUT3 | O | Green | |
| 7 | OUT4 | O | Blue | |
| 8 | OUT5 | O | Purple | |
| 9 | OUT6 | O | Gray | |
| 10 | COM | O | White | Common terminal for OUT1 to OUT6. Connect to the power supply for driving loads or GND according to the specification of the external contact output. Between the COM and the GND, an electrostatic protection element with a varistor voltage of 100 V is used. |

7. Output circuit

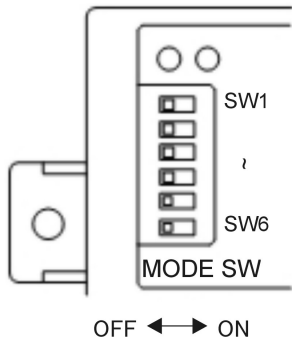
7.1 Internal equivalent circuit



7.2 Cautions

- * Ensure that the KSR2.4 is turned off when wiring to each terminal and confirm there is no misconnection before turning on the power again.
- * The outputs of the KSR2.4 are not surge protected. When driving inductive loads such as relays, please conduct surge prevention such as using surge absorption diodes on the load side.

8. MODE SW setting



The MODE SW is used to set the pairing mode and the output operation mode, and change the output time in the one-shot mode.

Please use a small screwdriver or tweezers for MODE SW setting.

* SW5 and 6 are not used.

8.1 Output operation mode setting

The output operation mode is set with the SW2 and SW3. For details of each output operation mode, refer to "9. Output operation mode".

The setting of the output operation mode is enabled when the KSR2.4 is turned on. The setting will not change if you change the switch setting after starting up.

| | | MODE SW setting | |
|-----------------------|-----------|-----------------|-----|
| | | SW2 | SW3 |
| Output operation mode | Momentary | OFF | OFF |
| | One-shot | OFF | ON |
| | | ON | ON |
| | Toggle | ON | OFF |

8.2 Output time setting for one-shot mode

The output time used in the one-shot mode can be set with the SW4.

Other output operation modes are not affected by this setting.

| | | Setting |
|---------------------------|--------|---------|
| | | SW4 |
| One-shot mode Output time | 500 ms | OFF |
| | 200 ms | ON |

8.3 Pairing with the input unit

Before using the KSR2.4, it needs to be paired with the target input unit. The KSR2.4 communicates on a 1: 1 basis.

- The KSR2.4 is shipped from the factory without pairing.
- When pairing is newly performed with another input unit, the previous pairing will be overwritten.

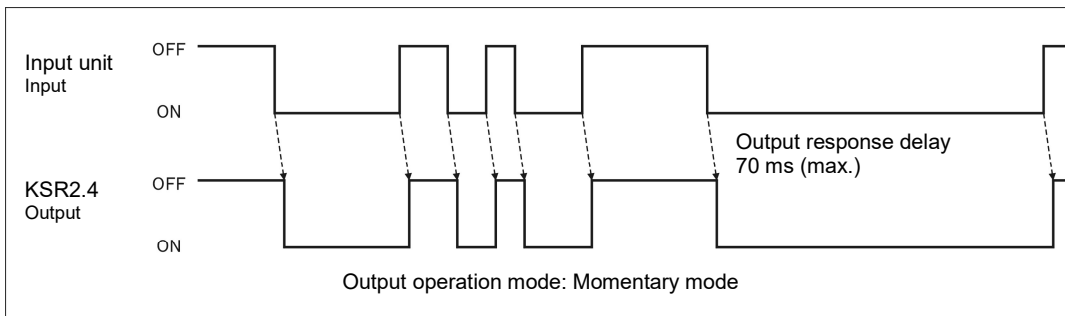
| ID code registration procedure | | LEDs |
|--------------------------------|---|----------------------------------|
| Preparation | Turn off the power of the KSR2.4. Set the MODE SW1 to ON. | |
| Step 1 | Turn on the power of the KSR2.4. | Setting LED: On |
| Step 2 | Set the MODE SW1 of the KSR2.4 to OFF. | Setting LED: On |
| Step 3 | Turn on the power of the input unit in the pairing mode. *Refer to the operation guide of the input unit. | |
| Step 4 | Perform "Transmission to start pairing" with the input unit. *Refer to the operation guide of the input unit. | Setting LED: Off LINK LED: On |
| Step 5 | Perform "Transmission of pairing complete information" with the input unit. *Refer to the operation guide of the input unit. | Setting LED: On LINK LED: On |
| End | After a while, the KSR2.4 returns to normal operation (standby state). | LINK LED: Blink |

9. Output operation modes

The KSR 2.4 operates in the specified mode out of three output operation modes, Momentary mode, One-shot mode, and Toggle mode. The output operation mode can be set with the MODE SW. For details, refer to "8.1 Output operation mode setting".

9.1 Momentary mode

The OUT1 of the KSR 2.4 turns on while the Input 1 of the input unit is turned on. For the Input 2 to 6 of the input unit, the corresponding OUT 2 to 6 of the KSR2.4 operate in the same way.

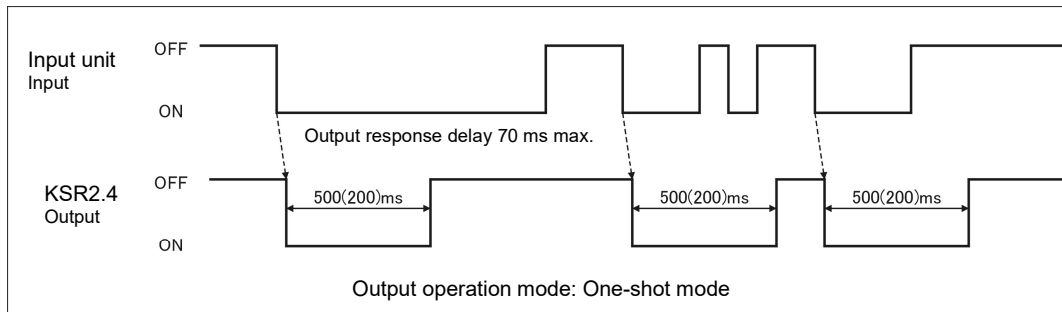


| Input unit | | KSR2.4 Output |
|---------------|---------------|---------------|
| NK-2.4Y Input | KST2.4S Input | |
| IN1 ON/OFF | IN1 ON/OFF | OUT1 ON/OFF |
| IN2 ON/OFF | IN2 ON/OFF | OUT2 ON/OFF |
| IN3 ON/OFF | IN3 ON/OFF | OUT3 ON/OFF |
| IN4 ON/OFF | IN4 ON/OFF | OUT4 ON/OFF |
| IN5 ON/OFF | IN5 ON/OFF | OUT5 ON/OFF |
| IN6 ON/OFF | IN6 ON/OFF | OUT6 ON/OFF |

* If communication is disconnected while the input of the input unit is ON, the output becomes OFF after about 400 ms. Even if communication is re-established while the input is still ON, the output will not turn ON. At this time, the LINK LED and LINK output blink rapidly (ON / OFF). Please turn off the input once to resume control.

9.2 One-shot mode

Turning on the Input1 of the input unit turns on the OUT1 of the KSR 2.4 for 500 ms. For the Input 2 to 6, the corresponding OUT2 to 6 will turn ON for 500 ms.



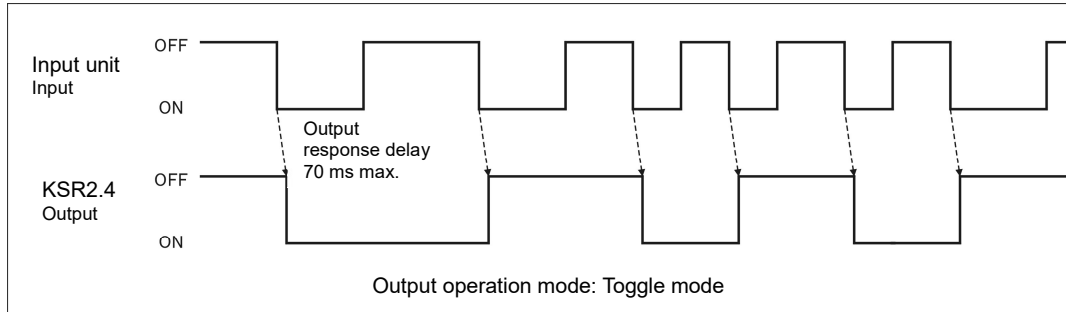
| Input unit | | KSR2.4 Output |
|---------------|---------------|--------------------|
| NK-2.4Y Input | KST2.4S Input | |
| IN1 ON | IN1 ON | OUT1 500(200)ms ON |
| IN2 ON | IN2 ON | OUT2 500(200)ms ON |
| IN3 ON | IN3 ON | OUT3 500(200)ms ON |
| IN4 ON | IN4 ON | OUT4 500(200)ms ON |
| IN5 ON | IN5 ON | OUT5 500(200)ms ON |
| IN6 ON | IN6 ON | OUT6 500(200)ms ON |

* The output time of the One-shot mode can be set to 500 ms or 200 ms with the MODE SW 4. See "8.2 Output time setting for one-shot mode".

* The delay time from the input operation to the output response is 70 ms at maximum. It is the same in other output operation modes.

9.3 Toggle mode

Turning on the Input1 of the input unit turns on the OUT1 of the KSR2.4. When the Input1 is turned ON again, the OUT1 turns OFF. For the Input 2 to 6, the corresponding OUT 2 to 6 operate in the same way.



| Input unit | | KSR2.4 Output |
|---------------|---------------|-----------------------|
| NK-2.4Y Input | KST2.4S Input | |
| IN1 ON | IN1 ON | OUT1 ON/OFF switching |
| IN2 ON | IN2 ON | OUT2 ON/OFF switching |
| IN3 ON | IN3 ON | OUT3 ON/OFF switching |
| IN4 ON | IN4 ON | OUT4 ON/OFF switching |
| IN5 ON | IN5 ON | OUT5 ON/OFF switching |
| IN6 ON | IN6 ON | OUT6 ON/OFF switching |

* While the output is turned on in the toggle mode, if communication with the input unit is disconnected, or if the power of the input unit is turned off, the output turns off after 10 seconds. If communication is resumed within 10 seconds, the output will continue to be ON.

10. Connection example

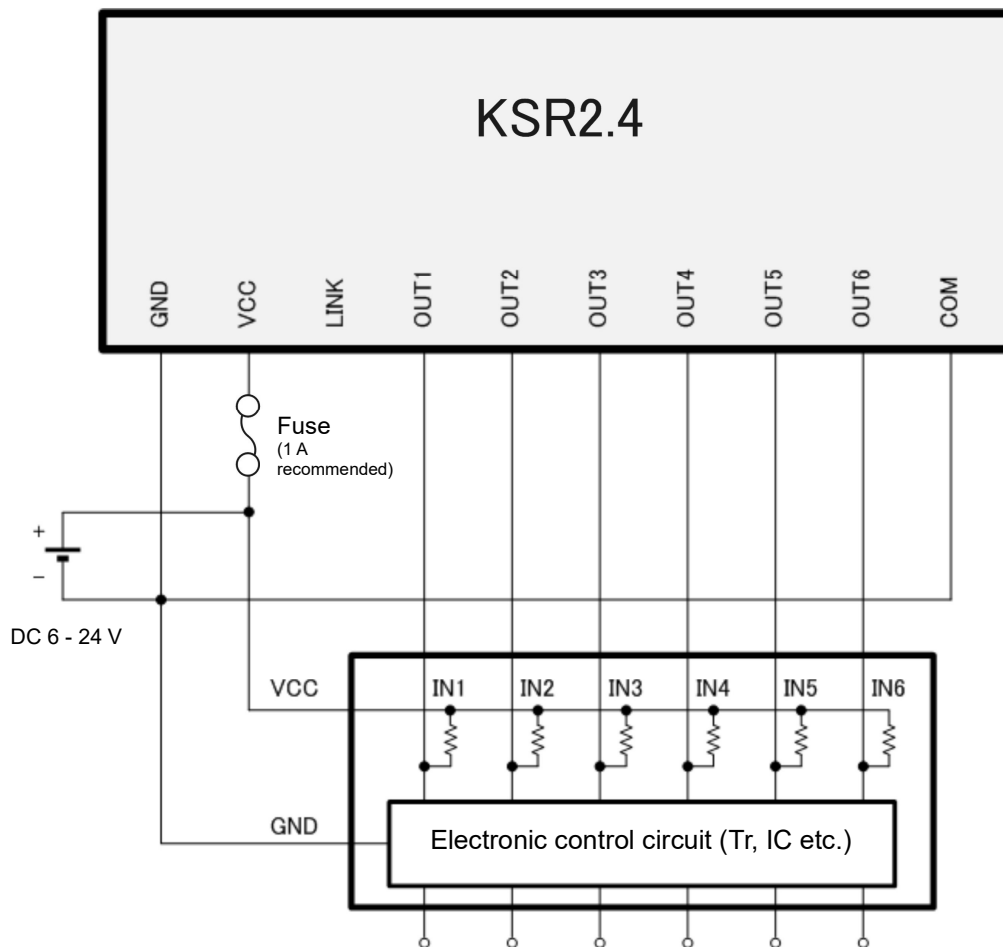
Connection examples for the KSR2.4 outputs (OUT1 to 6).

10.1 Connection example 1

In this connection example, the power supply of the KSR2.4 and the power supply of the small load (electronic circuit such as Tr, IC etc.) connected to the KSR2.4 are common.

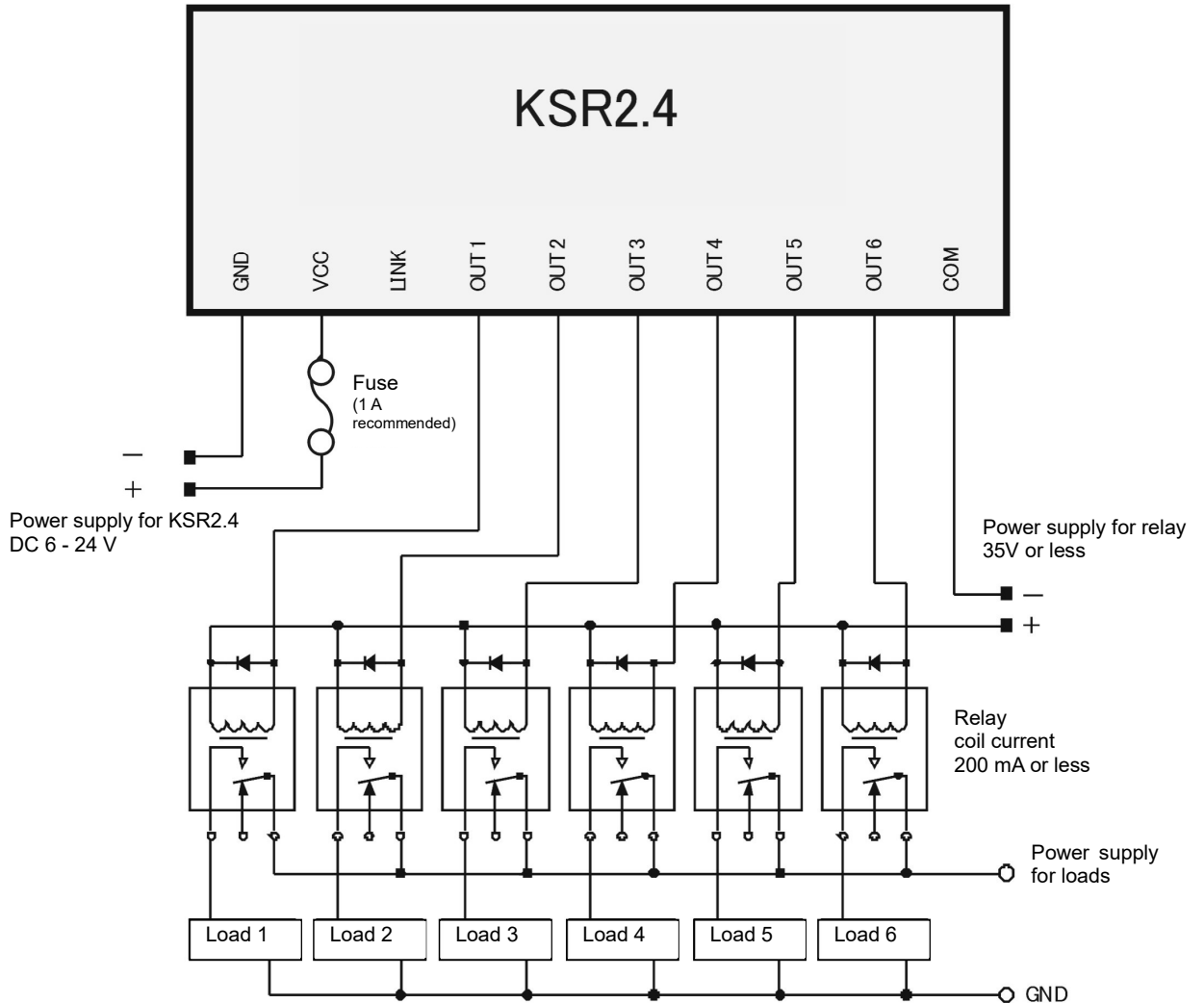
Use the supply voltage of the load within the range of 6 to 24 V DC which is the specification of the KSR2.4.

To prevent overcurrent, be sure to insert a fuse in the KSR2.4 power supply line (excluding the load).



10.2 Connection example 2

If it is necessary to isolate the KSR2.4 from the relay connected to the KSR2.4, please use separate power supply as shown below. The load rating of each output terminal of the KSR2.4 (relay coil side in the figure below) should be 35 V / 200 mA or less.



- * The above figure is an example when the COM terminal is connected to the GND.
- * When driving relays, please use a surge absorption diode for each relay coil (see the above figure)

Regulatory compliance information

Regulatory Statement for FCC

The KSR2.4 contains an FCC certified module NK-2.4Y (FCC ID: V9X-NK24Y).

This device complies with part 15 of the FCC Rules. Operation is subject to the following two conditions: (1) This device may not cause harmful interference, and (2) this device must accept any interference received, including interference that may cause undesired operation.

This transmitter must not be co-located or operated in conjunction with any other antenna or transmitter.

Caution: Any changes or modifications not expressly approved by the party responsible for product compliance could void the user's authority to operate the equipment.

Caution: Exposure to radio frequency radiation

This equipment complies with FCC radiation exposure limits set forth for an uncontrolled environment and meets the FCC radio frequency (RF) Exposure Guidelines. This equipment has very low levels of RF energy that is deemed to comply without testing of specific absorption rate (SAR)

Important notice

- Customers are advised to consult with Circuit Design sales representatives before ordering. Circuit Design believes the provided information is accurate and reliable. However, Circuit Design reserves the right to make changes to this product without notice.
- Circuit Design products are neither designed nor intended for use in life support applications where malfunction can reasonably be expected to result in significant personal injury to the user. Any use of Circuit Design products in such safety-critical applications is understood to be fully at the risk of the customer and the customer must fully indemnify Circuit Design, Inc for any damages resulting from any improper use.
- As the radio product communicates using electronic radio waves, there are cases where transmission will be temporarily cut off due to the surrounding environment and method of usage. The manufacturer is exempt from all responsibility relating to resulting harm to personnel or equipment and other secondary damage.
- The manufacturer is exempt from all responsibility relating to secondary damage resulting from the operation, performance and reliability of the customer system using this product.

Copyright

- All rights in this operation guide are owned by Circuit Design, Inc. No part of this document may be copied or distributed in part or in whole without the prior written consent of Circuit Design, Inc.

Cautions

- Communication performance will be affected by the surrounding environment, so communication tests should be carried out before actual use.
- Do not use this equipment in vehicles with the windows closed, in locations where it is subject to direct sunlight, or in locations with extremely high humidity.
- Do not subject the equipment to condensation (including moving it from cold locations to locations with a significant increase in temperature.)
- Do not use the equipment in locations where it is likely to be affected by acid, alkalis, organic agents or corrosive gas.

Warnings

- Do not take apart or modify the equipment.
- Do not remove the product label.

Revision History

| Version | Date | Description | Remark |
|---------|-----------|---|--------|
| 1.0 | Mar.2018 | | |
| 1.1 | May.2020 | Correction of the Document. | |
| 3.0 | Oct. 2021 | Updated for use in combination with NK-2.4Y & KST2.4S | |